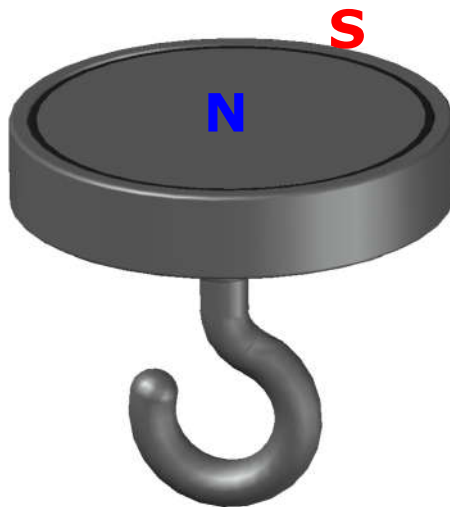
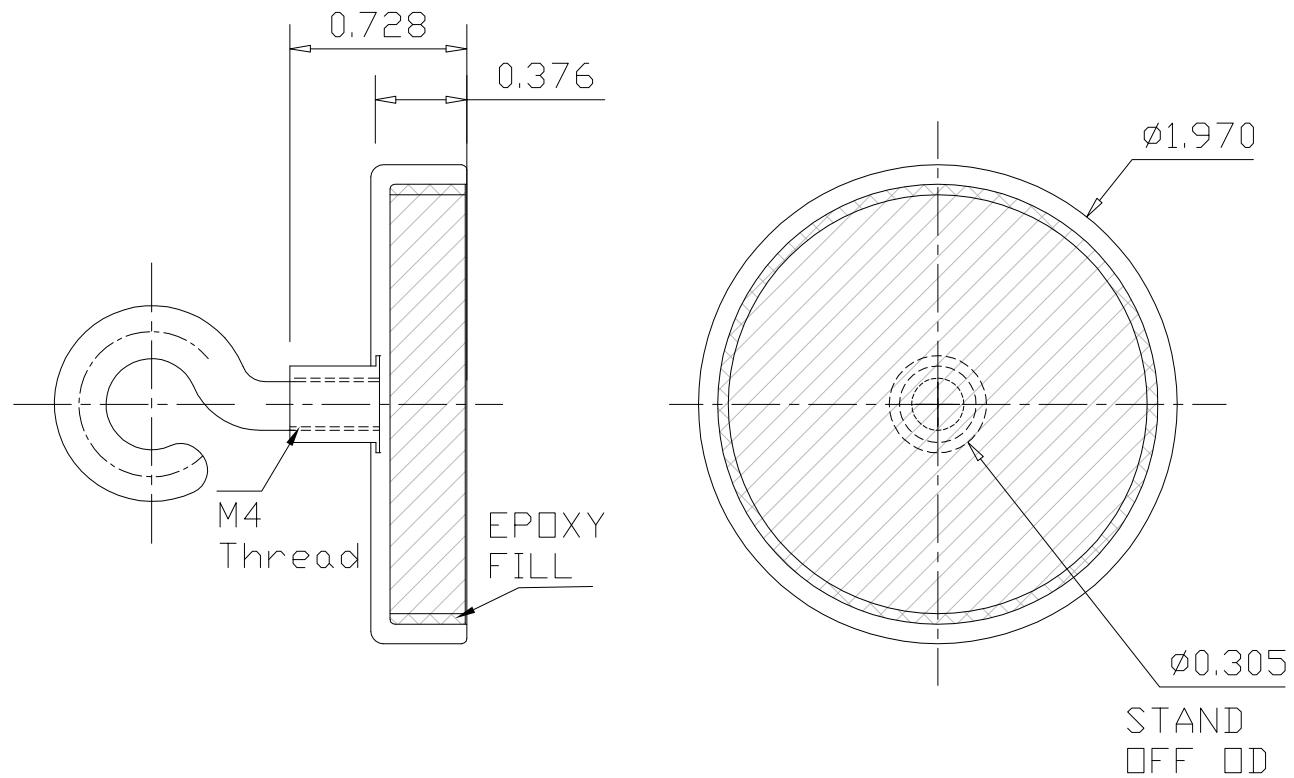


64PN0050

Revision 2



Specifications:

- 1) Ceramic-8 magnet disc
- 2) Nickel coated steel cup and hook
- 3) Magnet surface lower than that of cup 0.005"
- 4) Pull pounds: 49 lbs typical (Tested on a clean, ground steel plate 0.375" thick)
- 5) All dimensions are in inches
- 6) Working temperature range: $-40^{\circ}\text{C}\sim 100^{\circ}\text{C}$