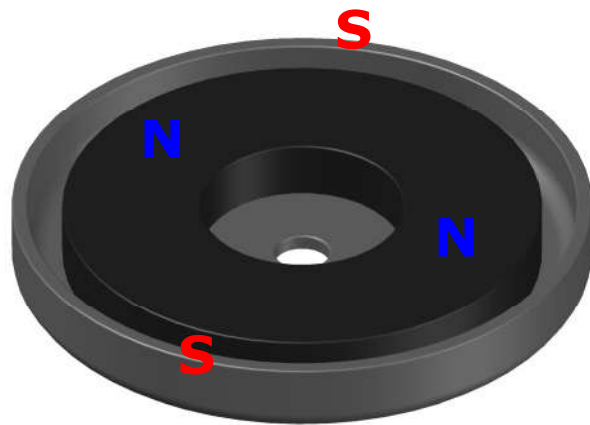
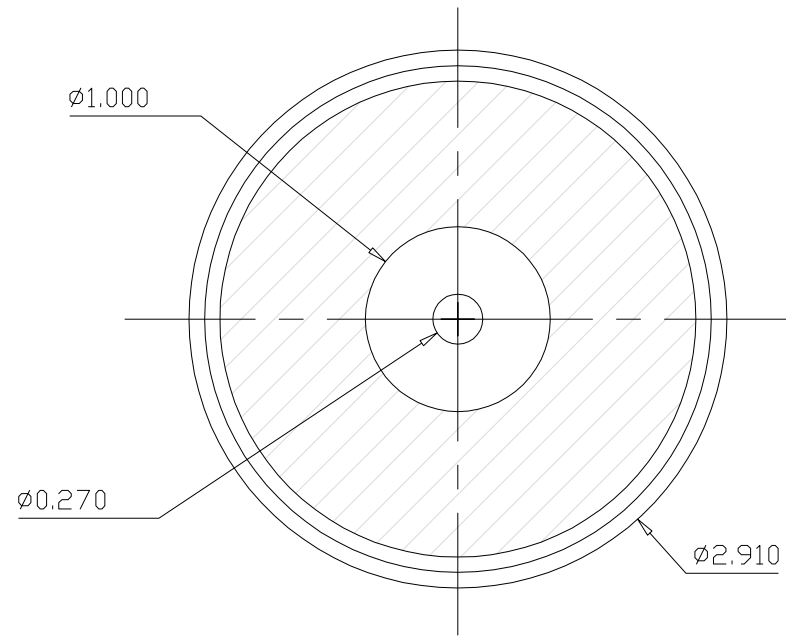
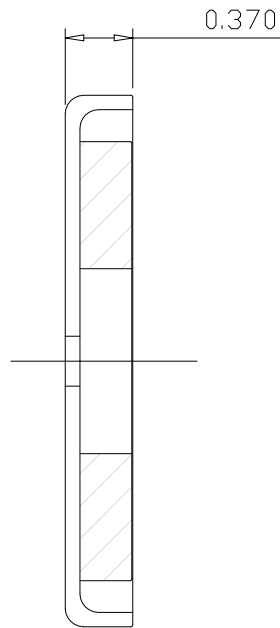


64G0001

Revision 4



Specifications:

- 1) Ceramic-8 magnet ring
- 2) Chrome coated steel cup
- 3) Magnet surface lower than that of cup 0.005"
- 4) Pull pounds: 85 lbs typical (Tested on a clean, ground steel plate 0.375 thick)
- 5) All dimensions are in inches
- 6) Working temperature range: -40°C~100°C

ADAMS
MAGNETIC PRODUCTS