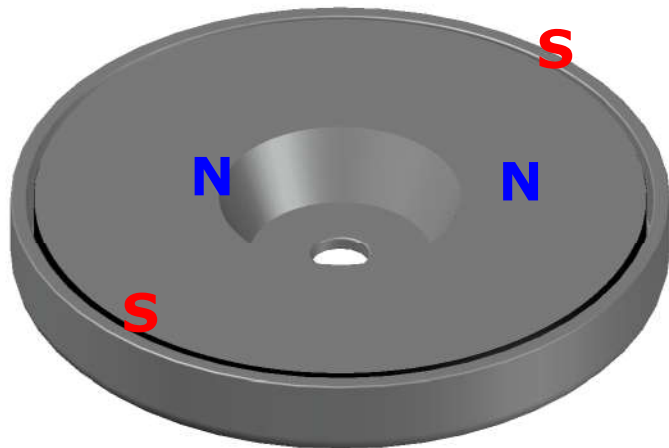
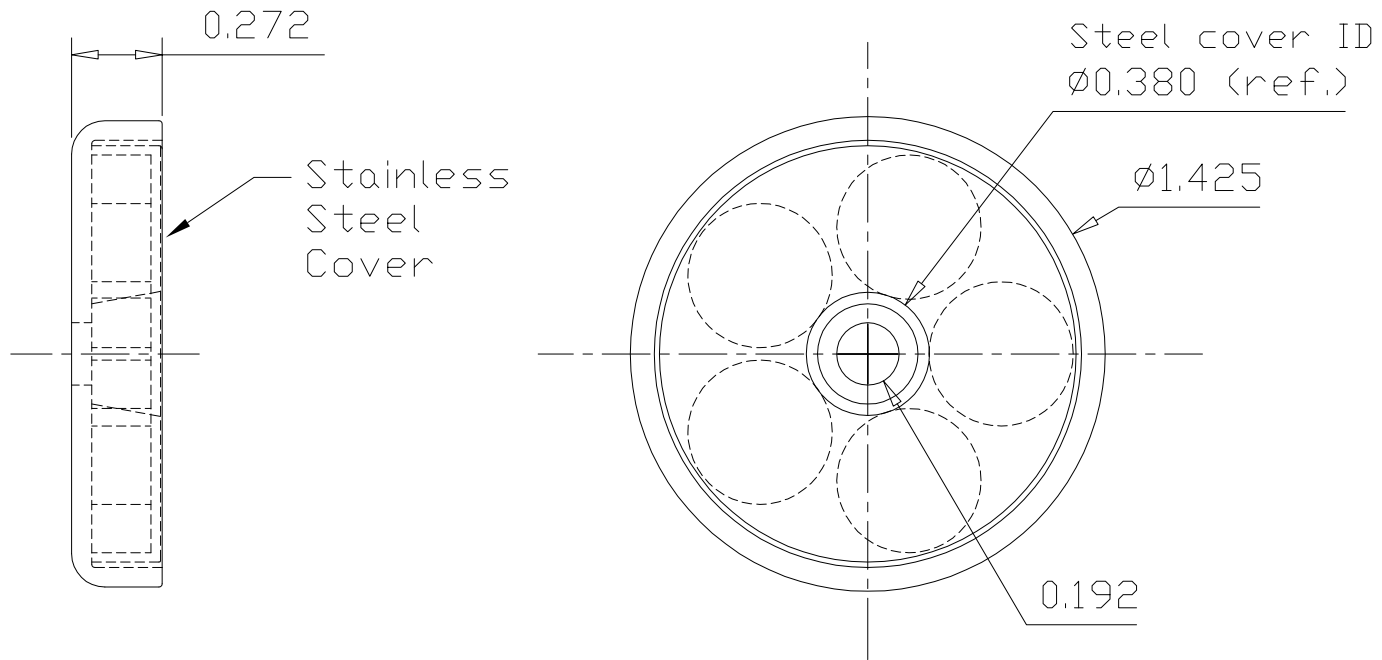


64BNC06

Revision 2



Specifications:

- 1) Zinc coated NdFeB magnet disks
- 2) Copper-Nickel-chrome coated steel cup
- 3) S.S. Steelcover
- 4) Pull pounds: 65 lbs typical. (Tested on a clean, ground steel plate 0.375" thick)
- 5) All dimensions are in inches
- 6) Working temperature range: -40°C~80°C

ADAMTS
MAGNETIC PRODUCTS