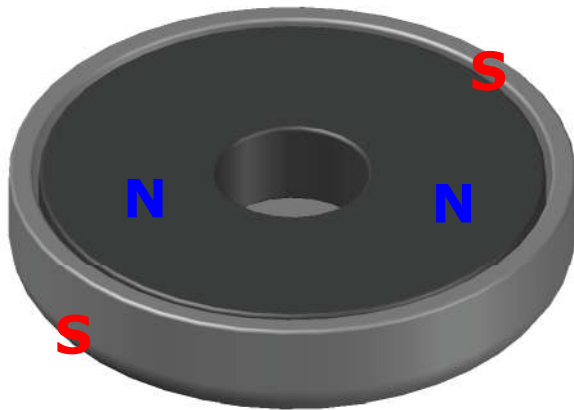
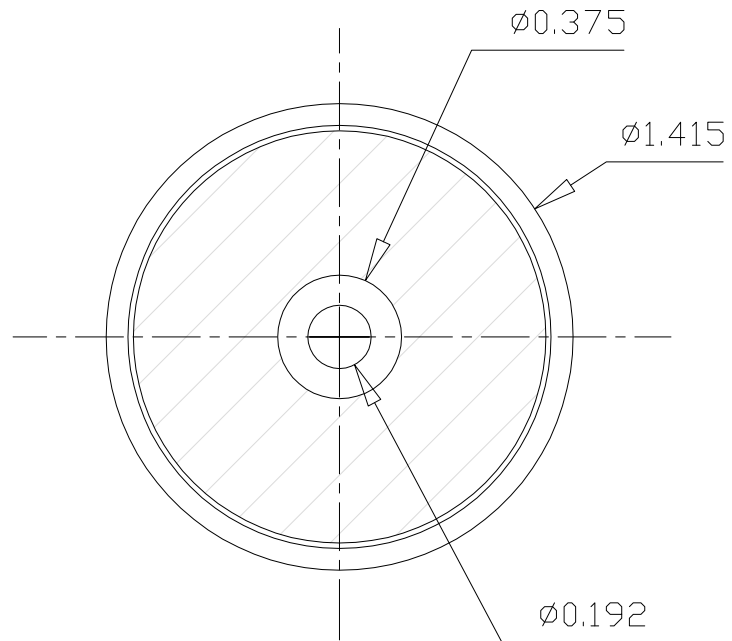
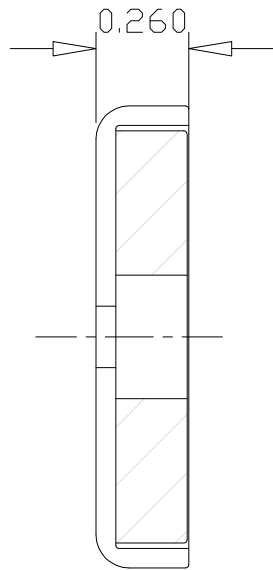


64B0006

Revision 3



Specifications:

- 1) Ceramic-5 magnet ring
- 2) Nickel coated steel cup
- 3) Magnet surface lower than that of cup 0.005"
- 4) Pull pounds: 15 lbs typical. (Tested on a clean, ground steel plate 0.375" thick)
- 5) All dimensions are in inches
- 6) Working temperature range: -40°C-100°C

ADAMTS
MAGNETIC PRODUCTS